

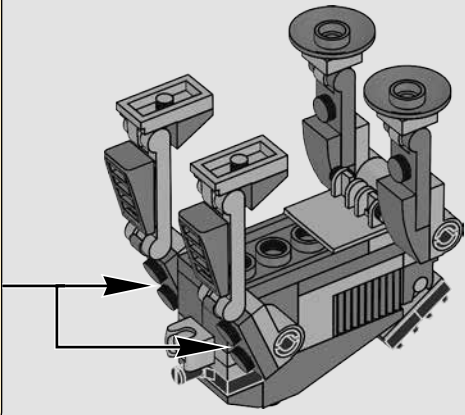
13

1. A grey Technic brick with a hole is shown with a red arrow pointing to a grey Technic pin being inserted into the hole.

2. A grey Technic brick with a hole is shown with a red arrow pointing to a grey Technic pin being inserted into the hole.

3. A grey Technic brick with a hole is shown with a red arrow pointing to a grey Technic pin being inserted into the hole.

4. A grey Technic brick with a hole is shown with a red arrow pointing to a grey Technic pin being inserted into the hole. The number "2x" is written below the diagram.



14

1. A grey Technic brick with two holes is shown.

2. A grey Technic brick with two holes and a red Technic pin inserted into one hole is shown.

3. A grey Technic brick with two holes and a red Technic pin inserted into one hole is shown.

4. A grey Technic brick with two holes and a red Technic pin inserted into one hole is shown. A red arrow points to the second hole, indicating where another red Technic pin should be inserted.

